



Composite Door Measuring Guide

Guide to measuring for your
new wdc composite door

This guide presumes that the user is either an experienced trade person or a competent DIYer

You will need an accurate metric tape measure a note pad and a pen.

All measurements are to be given in millimetres so 1metre would be written as 1000 mm etc.

Measurements should be taken from outside.

All measurements must include any sills or addons required.

If you do not feel confident measuring your door please seek help from a more experienced person.

If you need advice on any aspect, please feel free to call and one of our professionals will be happy to help. Unless you have arranged for wdc to measure your door wdc will not be liable for any mistakes.



Customer Helpline

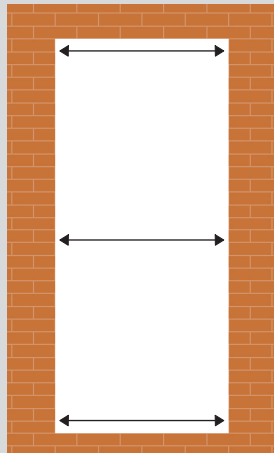
0800 772 0191

www.wdcdoorsdirect.co.uk

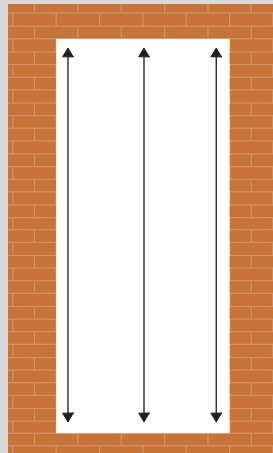


How to measure for a new composite door

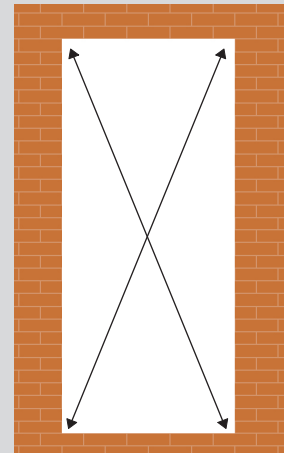
You are measuring the overall width and height of the door including the door, the frame and cill.



Measure brick to brick in 3 positions as shown above. Top middle and bottom. Take the smallest measurement and deduct 10mm. write this measurement down as the width of your door.

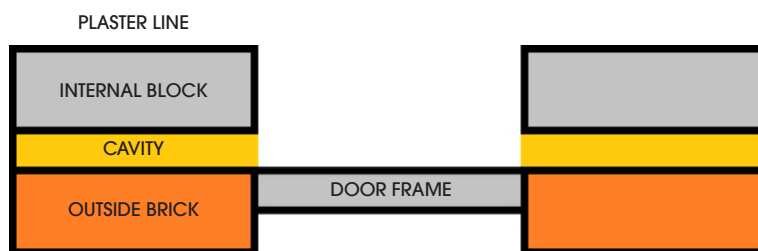


Brick or (mortar bed) to brick or (lintel) Measure the Height in 3 positions as shown above left centre and right. Take the smallest measurement and deduct 10mm. write this down as the height of your door.



Check your opening is square. The 2 measurements should be within 5 mm. if not you will need to alter your width and Hight to ensure that the door can sit squarely in the aperture.

Plan view of most common scenario



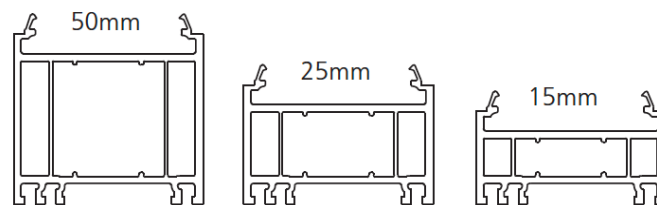
Customer Helpline
0800 772 0191

www.wdcdoorsdirect.co.uk

Cills & Thresholds

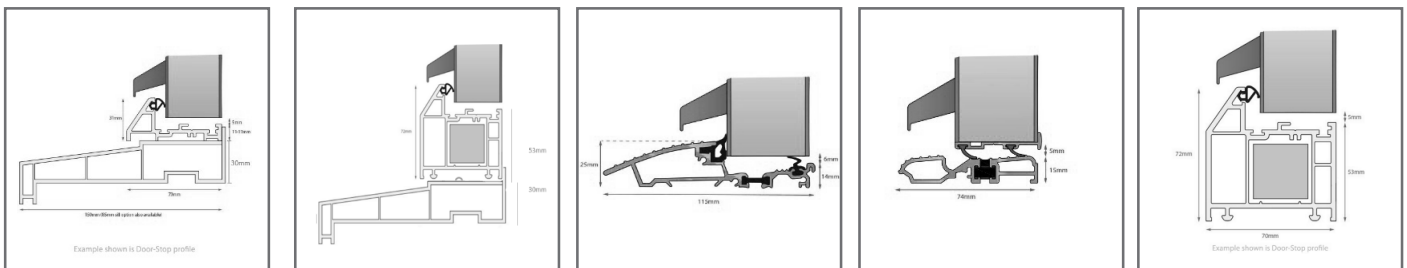
There are many more scenarios you may come across. For instance, if you are measuring an existing door, it may be behind render or wood cladding. In each case, it should be removed to find the actual aperture size and then you can use the 15mm 20mm or 50mm addons which clip onto the outer frame to extend the width of the profile.

If you have an older style property you may have a door that sits behind the brick work known as sash box door. You can either sit your new door forward in between the brick work and make good inside or you can set your door behind the brick by using the addons to extend the frame.



You also need to determine your sill and threshold type. In most situations, the standard full frame option with 150 sill will be fine. For example full frame option with 150 x 30mm sill will give you a measurement of 83 mm to the top of the inside of the threshold (underside of the door leaf) to the bottom of the sill. If you have a 50mm floor screen you will have a measurement of 33 mm from the floor screed to the underside of your door leaf. (Don't forget to allow for floor coverings or door mats.)

see the drawings of threshold and sill options below.
(You can use thresholds without sills)



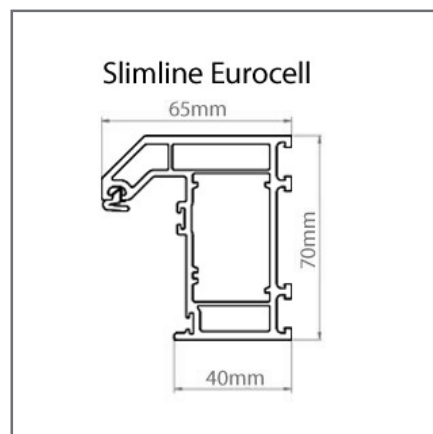
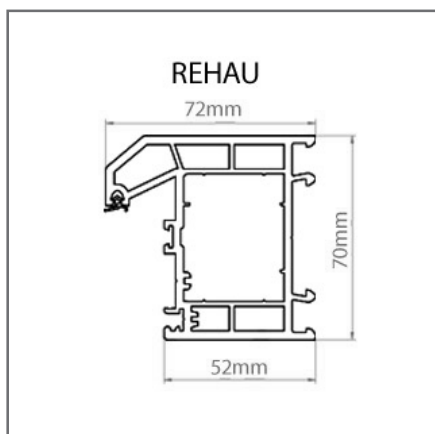
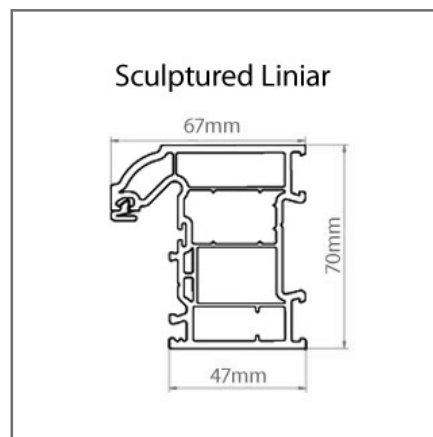
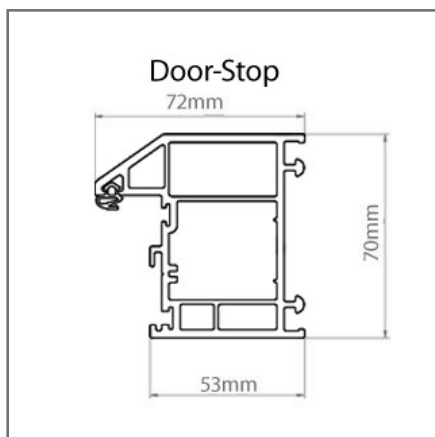
Customer Helpline
0800 772 0191

www.wdcdoorsdirect.co.uk

Top Tips

- ✓ Allow for floor coverings and door mats.
(so your door can open)
- ✓ Always include sills and addons in finished size
- ✓ Always view from outside.

Profile Cross Sections



Customer Helpline
0800 772 0191

www.wdcdoorsdirect.co.uk